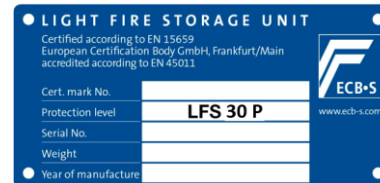


The new Home Safe range from Chubb safes

NEW HOMESAFE S2 30P - WHAT IS IT?

- HomeSafe S2 30P is a **new range** of safes aimed at the SOHO and Domestic market segments.
- It has been **designed to be one of the lightest** ECB.S EN 14450 S2 certified safes on the market to meet the demands made for rapid delivery
- It has **fire resistance** combined, certified by ECB.S EN 15659 LFS 30P
- It is easily identifiable as a Chubb safes product by use of RAL 7016 as the colour and the new Chubb safes 3D logo.
- Further association with the Chubb safes brand is achieved by using locks in line with the brand ethos
- It encompasses a **new locking bolt design** to achieve excellent door/ body positive location



NEW HOMESAFE S2 30P - WHAT IS IT?

RAL 7016



Chubbsafes

CS 3D LOGO



S&G SPARTAN



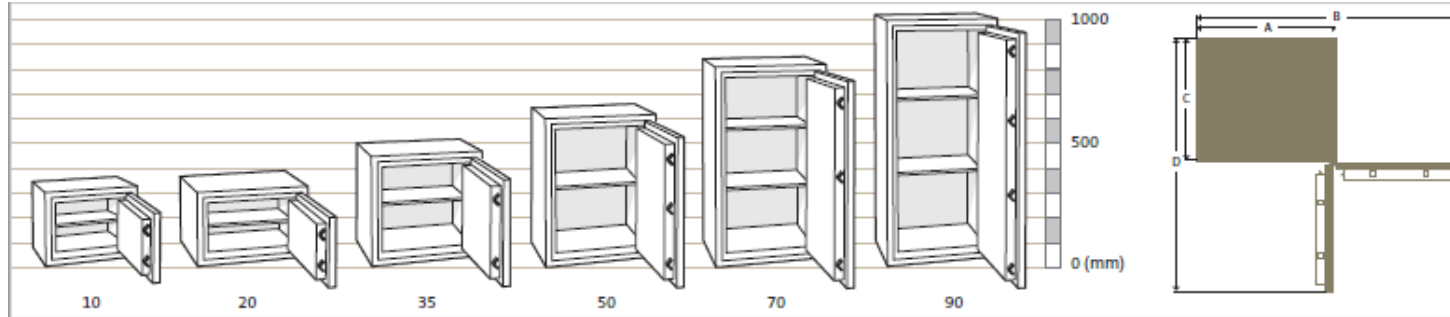
COLOUR CODED
KEY GUIDE



NEW HOMESAFE S2 30P - SIZES

Model	External Dimension			Internal Dimension			Volume	Weight
	H	W	D	H	W	D	ltr	Kg
HomeSafe S2 30P 10	300	360	300	210	270	191	10.8	20.5
HomeSafe S2 30P 20	300	445	390	210	355	281	20.9	27.4
HomeSafe S2 30P 35	450	445	390	360	355	281	35.9	37.3
HomeSafe S2 30P 50	600	445	390	510	355	281	50.9	45.6
Home Safe S2 30P 70	800	445	390	710	355	281	70.8	58.6
HomeSafe S2 30P 90	1000	445	390	910	355	281	90.8	71.4

- Six sizes
- Two lock options
- Adjustable shelf(s)
- Dual base fixing
- New design of bolt work



NEW HOMESAFE S2 30P - „V” BOLT DESIGN

New Bolt Work design:

HomeSafe uses a revolutionary “V” Bolt design.

This allows:

- A more positive door location and helps to support the fire resisting properties of the safe when closed.
- A greater effective bolt cross section when drilling
- A more compact bolt work meaning vital areas are easier to protect against attack



NEW HOMESAFE S2 30P - NEW CONSTRUCTION

New Construction:

A new construction method used to achieve both burglary and fire resistance levels

This allows:

- A weight saving of up to 50% over existing FIRE and EARTH models!
- Lower transport costs
- Easier to handle by the client when self-installing

NEW HOMESAFE S2 30P - S&G SPARTAN LOCK

- VdS Class 2, EN 1300 Class B, A2P B/E, UL Type 1 & RoHS compliant
- Simple, 2-User lock, 1 x Manager and 1 x User code
- Manager can add, delete, enable/disable the 2nd User code
- Optional Management Reset Code (MRC) which can be programmed only at initial set up
- Lock bolt relock notification (double beep & LED flash)
- Wrong try penalty lock out
- Manufacturers test 10,000 openings per 9V Duracell battery
- Low battery warning
- Beeper volume adjustment
- Motorised bolt locking, not solenoid
- Direct drive lock
- Lock/unlock indicator on the dial
- Battery located within the keypad for ease of use
- New illuminated keypad option - red LED illuminates the keypad for use in low light areas

